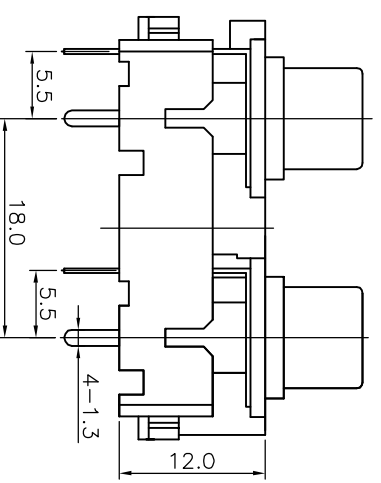


P.C.B. HOLE LAYOUT  
(BOTTOM VIEW)



6	TERMINAL 2	PHOSPHOR BRONZE	t=0.45	Sn PLATED
5	TERMINAL 1	PHOSPHOR BRONZE	t=0.45	Sn PLATED
4	EARTH BODY	BRASS	t=0.4	Ni PLATED
3	INSULATOR	ABS		SEE COLOR
2	COVER	POM		BLACK
1	BODY	ABS		WHITE
NO.	NAME	MATERIAL		FINISH

INTENDED USE		TITLE		RCA JACK	
CUSTOMER		PART NO.		J18315-0204HB	
TOLERANCES		DRAW NO.		J18315-0204HB	
0~±0.1 X:±1.5		MATERIAL		SEE NOTE	
6~20±0.2 X:±1°		FINISH		SEE NOTE	
20~90±0.3,XX:±0.5		SCALE		1:1	
		SHEET		1/1	
		DATE		CH 2002/4/27	
		REV		A	
		UNITS		mm	

JJP Jen Jia Precision Co., LTD.